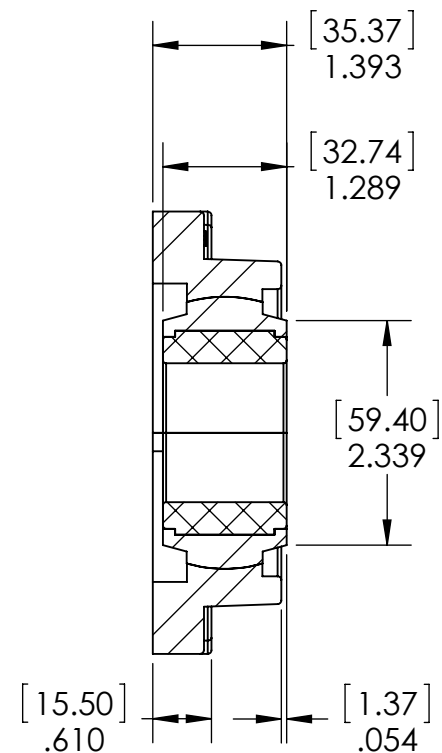
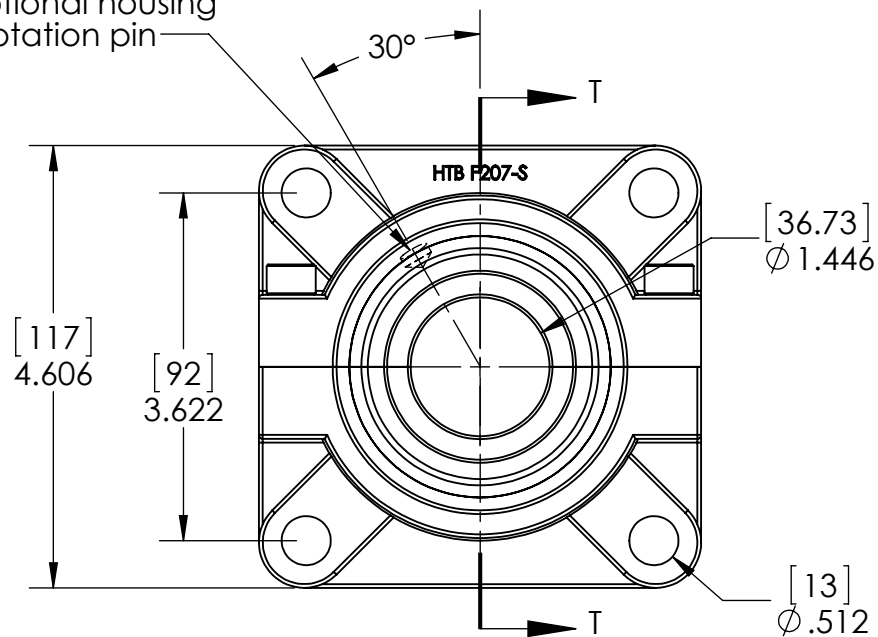


Steel backing pre-drilled  
for optional housing  
anti-rotation pin



SECTION T-T  
SCALE 1 : 2

Notes:

1: When ordering specify sleeve type by adding the suffix HT750, HT100 or NT600 (eg: 4BF207SHT750-144P) .

HT750: Carbon Grade rated to 750 F  
HT100: Carbon Grade rated to 1000F  
NT600: Polymer Composite Grade rated to 600F

2: 2-3 degrees of self alignment

## High Temp Bearings

TITLE:

HT Split 4 Bolt Flange  
Steel Backed Bearing

SIZE	DWG. NO.	REV
<b>A</b>	4BF207SHTxxx-144P	<b>A</b>
SCALE: 1:2		SHEET 1 OF 1